

Swedish Judo Open 2018 2018-09-22 Haninge M21-90

Competitors A

Competitors: 6

#	Name	Grade	Club	1	2	3	Wins	Pts	Pos
1	Axel OSCARSSON	1.dan	SWE/Sweden/Lugi jk						
2	Ioseph KRATASCHVILI	2.kyu	SWE/Sweden/Spif judo						
3	Mika WILLE	1.dan	GER/Germany/Shidosha berlin e.v.						

Matches A

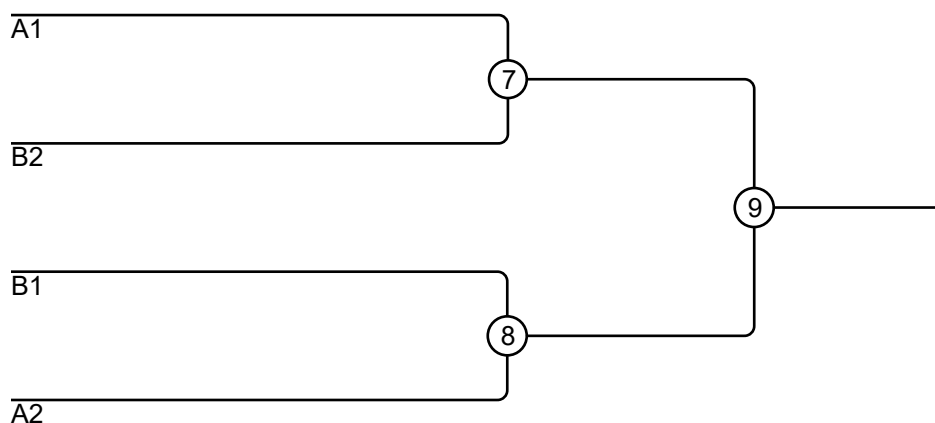
Match	White	Blue	Result	Time
1	Axel OSCARSSON	1 2 Ioseph KRATASCHVILI		
3	Axel OSCARSSON	1 3 Mika WILLE		
5	Ioseph KRATASCHVILI	2 3 Mika WILLE		

Competitors B

#	Name	Grade	Club	4	5	6	Wins	Pts	Pos
4	Marcus KÄLLBERG	1.kyu	SWE/Sweden/Judoklubben budo						
5	Erik STARFELT	1.dan	SWE/Sweden/Judo club sundsvall						
6	Aramais MURADJAN	1.kyu	SWE/Sweden/Frövi judoklubb						

Matches B

Match	White	Blue	Result	Time
2	Marcus KÄLLBERG	4 5 Erik STARFELT		
4	Marcus KÄLLBERG	4 6 Aramais MURADJAN		
6	Erik STARFELT	5 6 Aramais MURADJAN		



Results

Pos	Name
1	
2	
3	
3	