

# Swedish Judo Open 2018 2018-09-22 Haninge B18-90

Competitors A

Competitors: 7

#	Name	Grade	Club	1	2	3	4	Wins	Pts	Pos
1	Erik HATESAUL	1.kyu	SWE/Sweden/Lugi jk							
2	Erik STARFELT	1.dan	SWE/Sweden/Judo club sundsvall							
3	Aramais MURADJAN	1.kyu	SWE/Sweden/Frövi judoklubb							
4	Väinö SEPPÄLÄ	2.kyu	FIN/Finland/Finnish judo association							

## Matches A

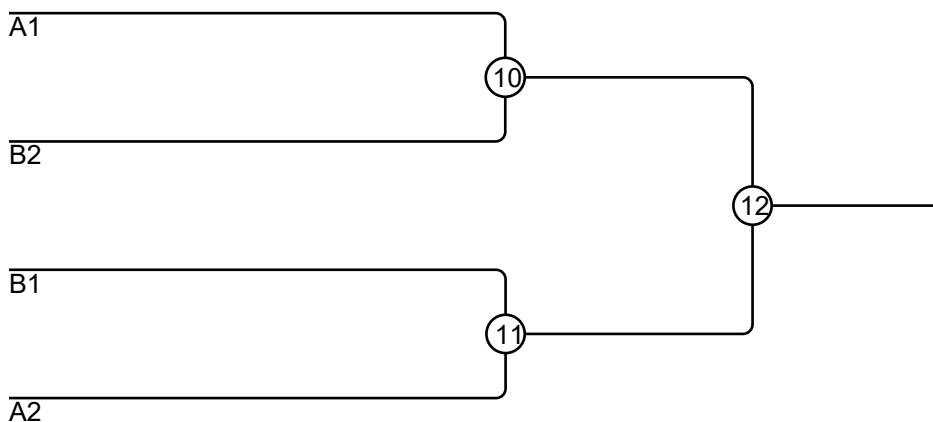
Match	White	Blue	Result	Time
1	Erik HATESAUL 1	Erik STARFELT 2		
2	Aramais MURADJAN 3	Väinö SEPPÄLÄ 4		
4	Erik HATESAUL 1	Aramais MURADJAN 3		
5	Erik STARFELT 2	Väinö SEPPÄLÄ 4		
7	Erik HATESAUL 1	Väinö SEPPÄLÄ 4		
8	Erik STARFELT 2	Aramais MURADJAN 3		

## Competitors B

#	Name	Grade	Club	5	6	7	Wins	Pts	Pos
5	Mika WILLE	1.dan	GER/Germany/Shidosha berlin e.v.						
6	Ioseph KRATASCHVILI	2.kyu	SWE/Sweden/Spif judo						
7	Jonatan LINGMERTH	1.kyu	SWE/Sweden/Jk national						

## Matches B

Match	White	Blue	Result	Time
3	Mika WILLE 5	Ioseph KRATASCHVILI 6		
6	Mika WILLE 5	Jonatan LINGMERTH 7		
9	Ioseph KRATASCHVILI 6	Jonatan LINGMERTH 7		



## Results

Pos	Name
1	
2	
3	
3	