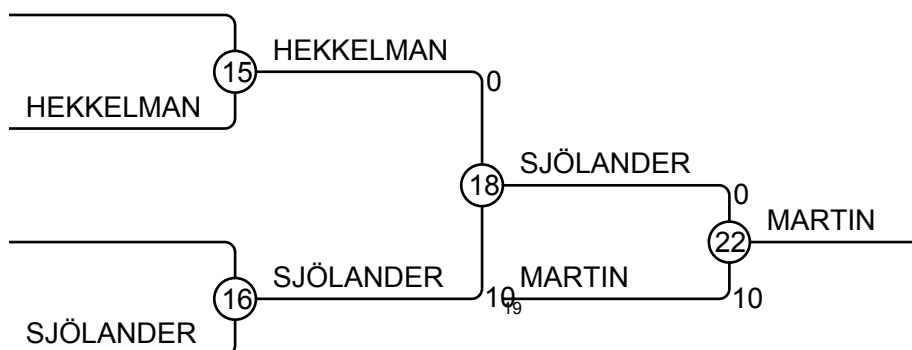
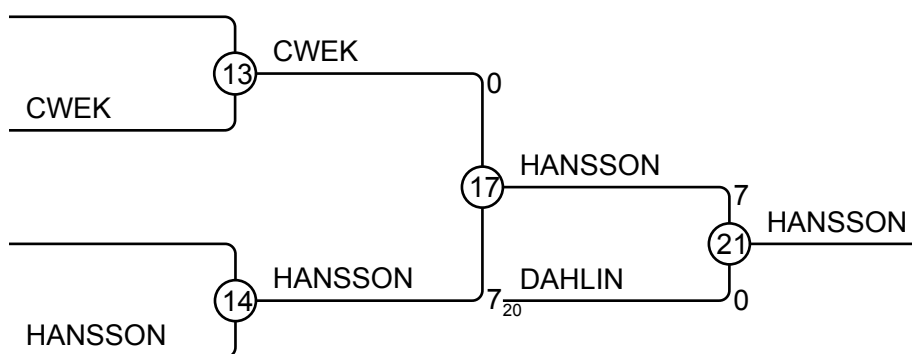
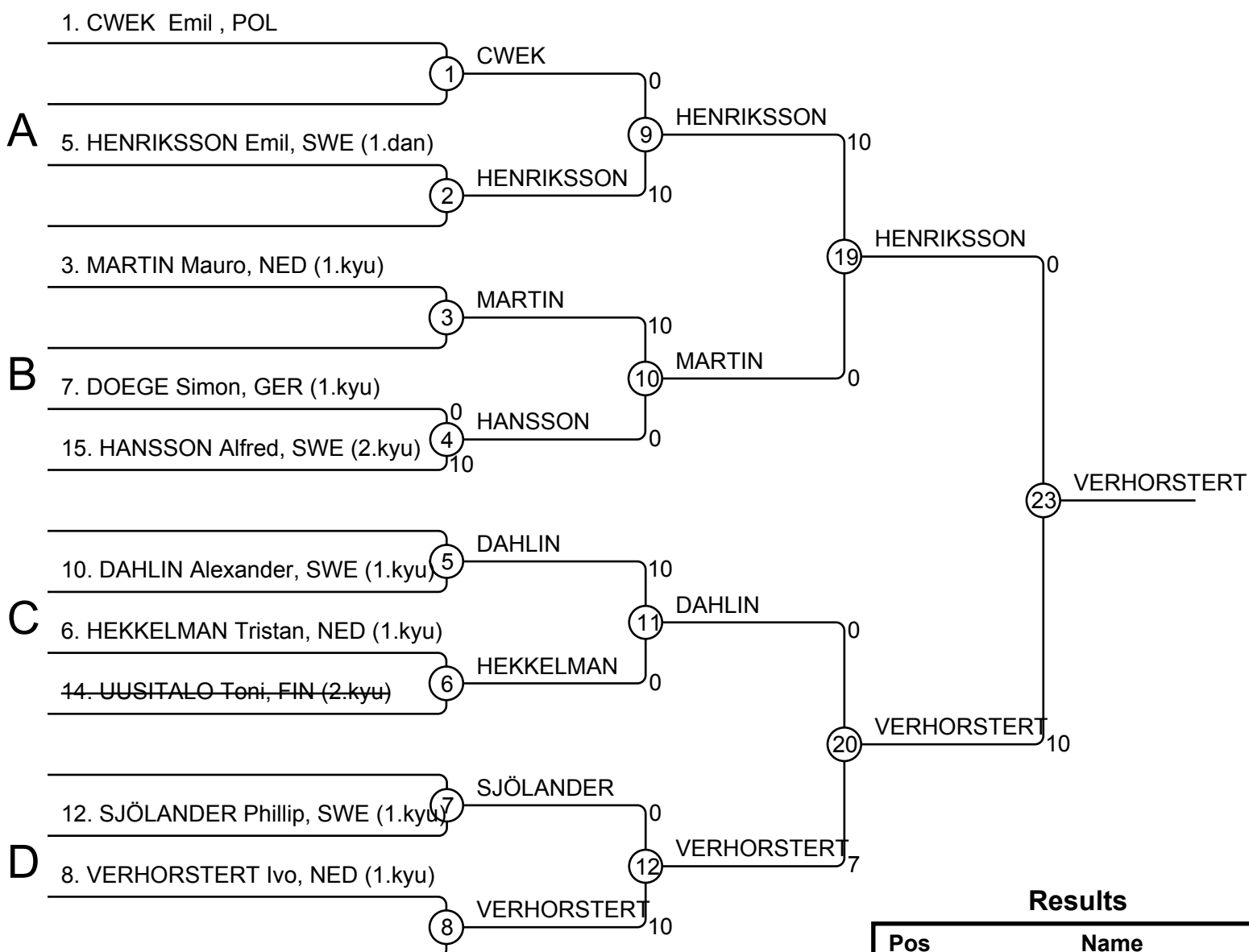


# Swedish Open Juniors & Cadets 160924 Stockholm M21-55

Competitors: 10



## Results

Pos	Name
1	VERHORSTERT Ivo, NED
2	HENRIKSSON Emil, SWE
3	HANSSON Alfred, SWE
3	MARTIN Mauro, NED
5	DAHLIN Alexander, SWE
5	SJÖLANDER Phillip, SWE
7	CWEK Emil , POL
7	HEKKELMAN Tristan, NED