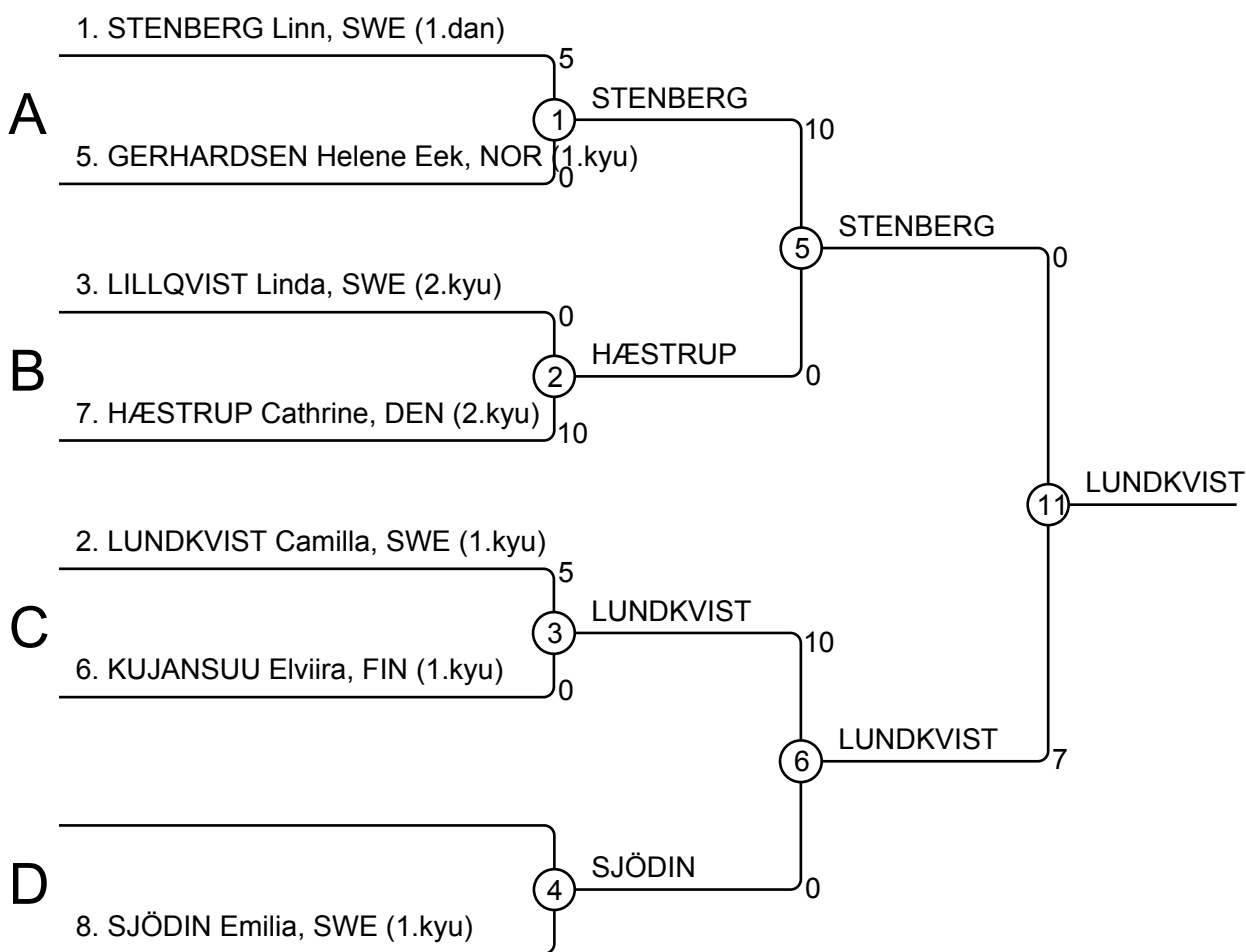


Swedish Open Juniors & Cadets 160924 Stockholm G18-57

Competitors: 7



Results

| Pos | Name |
|-----|-----------------------------|
| 1 | LUNDKVIST Camilla, SWE |
| 2 | STENBERG Linn, SWE |
| 3 | GERHARDSSEN Helene Eek, NOR |
| 3 | HÆSTRUP Cathrine, DEN |
| 5 | SJÖDIN Emilia, SWE |
| 5 | KUJANSUU Elviira, FIN |
| 7 | LILLQVIST Linda, SWE |
| 7 | |

